



the art of sound
ARTISON®

studio

INSTALLATION GUIDE

STUDIO 65 SoundBar
STUDIO 55 SoundBar
STUDIO 46 SoundBar
STUDIO 39 SoundBar

STUDIO65-SB
STUDIO55-SB
STUDIO46-SB
STUDIO39-SB

CARTON CONTENTS:

- 1. STUDIO SoundBar Speaker
- 2. STUDIO TV Mounting Brackets
 - 2. L Shape Mounting Brackets (Assembled)
 - 2. C Shape Thin TV Mounting Brackets (Packed separately)
- 2. Long Extension Plates
- 2. Short Extension Plates
- 2. UMB Stabilizer
- 4. UMB Stabilizer Nuts
- 1. Hardware Accessory Kit
 - 1. 3mm Allen Wrench
 - 8. Bracket to Bracket (B to B) Screws, M5 x 10 mm, Stainless Steel
 - 4. Machine Screw, M4 x 11.5 mm
 - 4. Machine Screw, M5 x 11.5 mm
 - 4. Machine Screw, M6 x 11.5 mm
 - 4. Machine Screw, M8 x 11.5 mm
 - 4. Machine Screw, M10 x 11.5 mm
 - 4. Flat Washer; 25 mm OD, 10 mm ID
 - 4. Flat Washer; 25 mm OD, 5 mm ID
- 2. White Gloves
- 1. Installation Guide

If you are missing any of these parts or if you need assistance during the installation of your Artison Studio SoundBar, please contact Artison's Customer Service Department during normal business hours, Pacific Time at (775) 783-4770.

Thank you for choosing the Artison STUDIO SoundBar Speaker. We are pleased that you have selected our high-performance audio product. The following information will guide you through the installation of your Artison STUDIO SoundBar.

INTRODUCTION

Artison STUDIO SoundBars are designed to attach directly to any Flat Panel TV (FPTV) with the included hardware, brackets, and come with custom made grilles. Studio SoundBars contain Center, Left and Right Channels, housed in one aluminum enclosure. All 3 speakers have independent air chambers and crossovers. This creates one TOTAL INVOLVEMENT EXPERIENCE™.

The STUDIO SoundBar attaches to any FPTV using the VESA mounting points on the rear surface. Using the STUDIO Universal Mounting Brackets, the speakers can be attached to any FPTV in a table top application or a wall-mount application in conjunction with a FPTV wall-mount bracket.

OST Grilles are available customized to the width and bezel color of any FPTV. Artison maintains a database of FPTV's and can match the exact width of any set. Any Artison Dealer can order a custom made grille for your FPTV.

INSTALLATION OPTIONS

The Artison STUDIO SoundBar Speakers were designed to have multiple installation options using the included hardware and brackets.

- Attachment to any Flat Panel TV (FPTV) on a Table stand or Wall Mounted installation.
- On-Wall (Surface) Mounting

Please read the instructions below before attempting your installation.

INSTALLATION PROCEDURES

The TV Mounting Brackets (TVMB) are designed to be used with the VESA Mounting points on the chassis. Using a third party wall-mount, the TV Mounting Brackets are placed between the chassis and the wall-mount. In cases where the display utilizes a table top stand, the Television Mounting Brackets can be attached directly to the TV's chassis.

REMOVAL OF FPTV CURRENTLY INSTALLED

1. If your FPTV is currently wall mounted, disconnect any wiring connections and remove it from the wall mount. **NOTE: This step may require two people.**
2. Place TV in safe location, display side down on a soft non-abrasive surface.
3. Remove any existing mounting brackets and screws from the VESA mounting points.

TV MOUNTING BRACKET SELECTION

4. Refer to Table 1. Review the TV chassis details and depth to select the appropriate mounting brackets from the kit. The Depth of the TV and desired location off the wall surface will impact the accessories used.

4.1. The L Shaped bracket that comes installed into the TV Mounting Brackets works best for TV's that are 2.1" – 4.7" in depth. Also this bracket will allow the TV to use any depth 3rd party wall mount.

4.2. The C Shaped bracket replacement parts work best for thinner TV's that range from 0.9" – 3.6" in depth. The additional requirement is that 3rd party wall mount with a minimum depth of 1.1" in thickness is required due to the speaker being offset behind the TV. **NOTE: Replace the L bracket for the C shaped bracket by loosening the 8 mm Hex Nut and exchanging before installing.**

TV MOUNTING BRACKET MOUNTING

5. The STUDIO SoundBar can be mounted above or below the FPTV.
6. Position one Television Mounting Brackets vertically across the left VESA mounting points, one across the right set of VESA mounting points. Use in conjunction with your 3rd party TV Wall Mount or table stand.

Figure	FPTV Thickness	Extension Plate	Minimum TV Wall Mount Bracket Depth
1 & 2	0.9 - 1.2"	No	1.1"
3 & 4	1.9 - 2.8"	Short	1.1"
5 & 6	2.7 - 3.6"	Long	1.1"
7 & 8	2.1 - 2.5"	None	None
9 & 10	3.0 - 4.0"	Short	None
11 & 12	3.8 - 4.7"	Long	None

TABLE 1

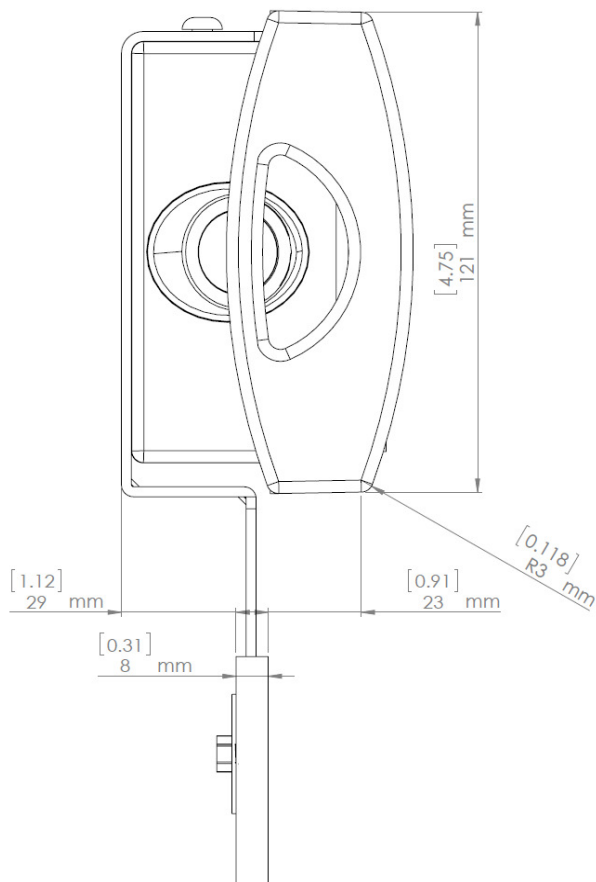


FIGURE 1

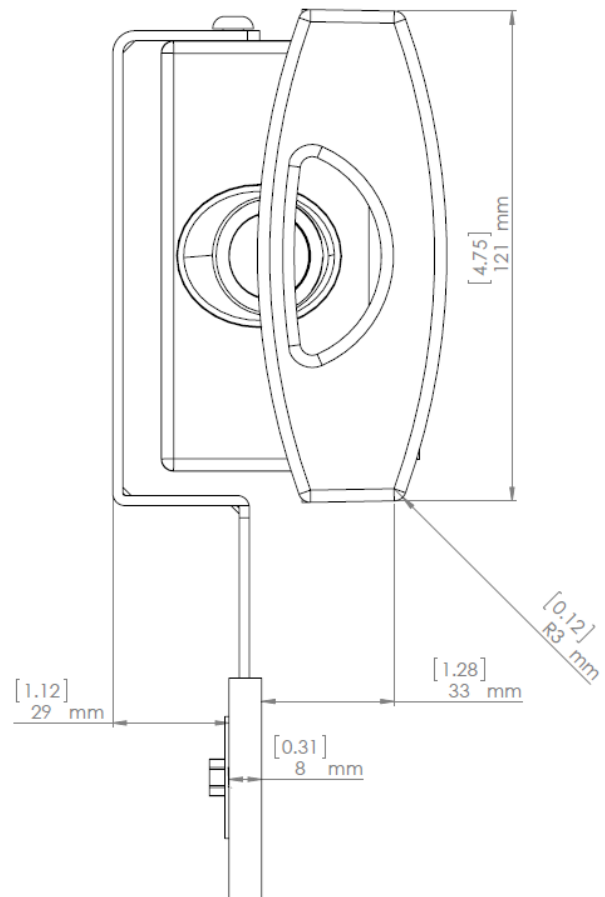


FIGURE 2

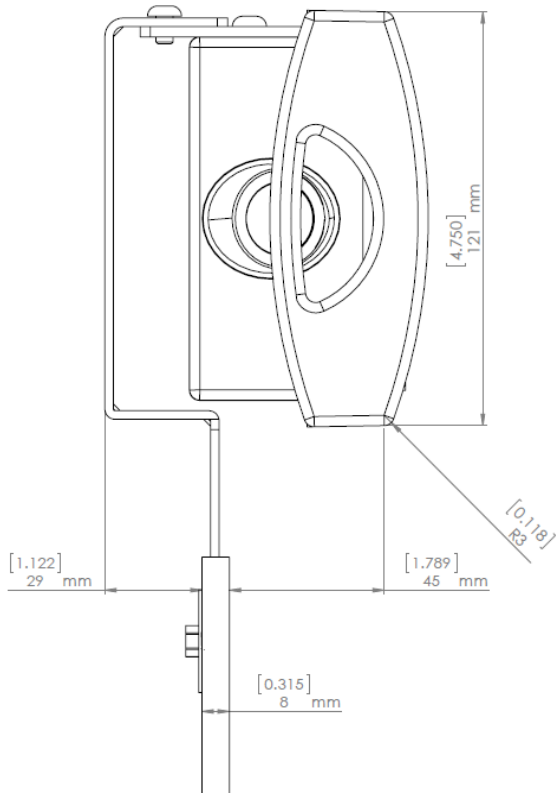


FIGURE 3

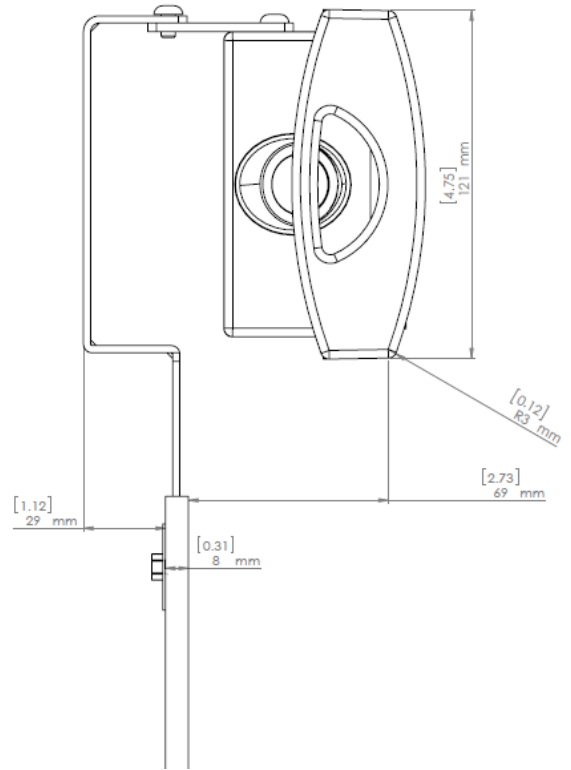


FIGURE 4

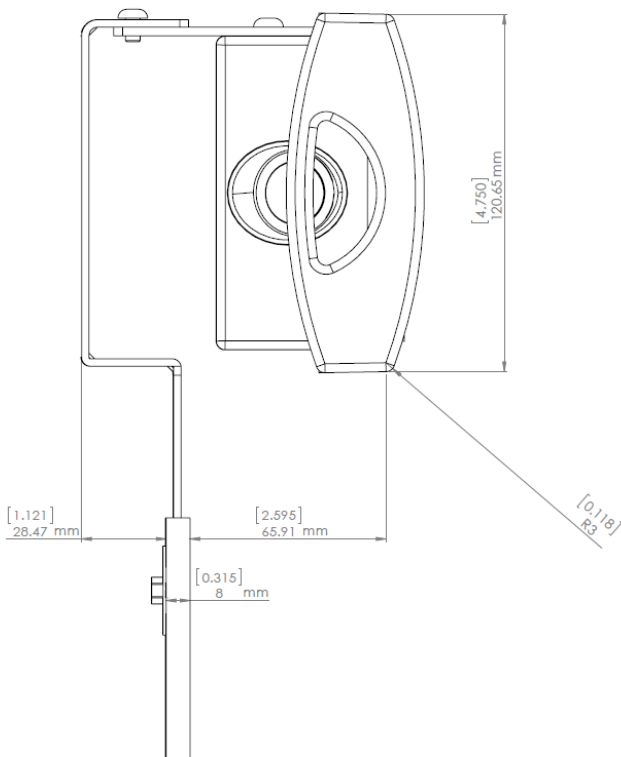


FIGURE 5

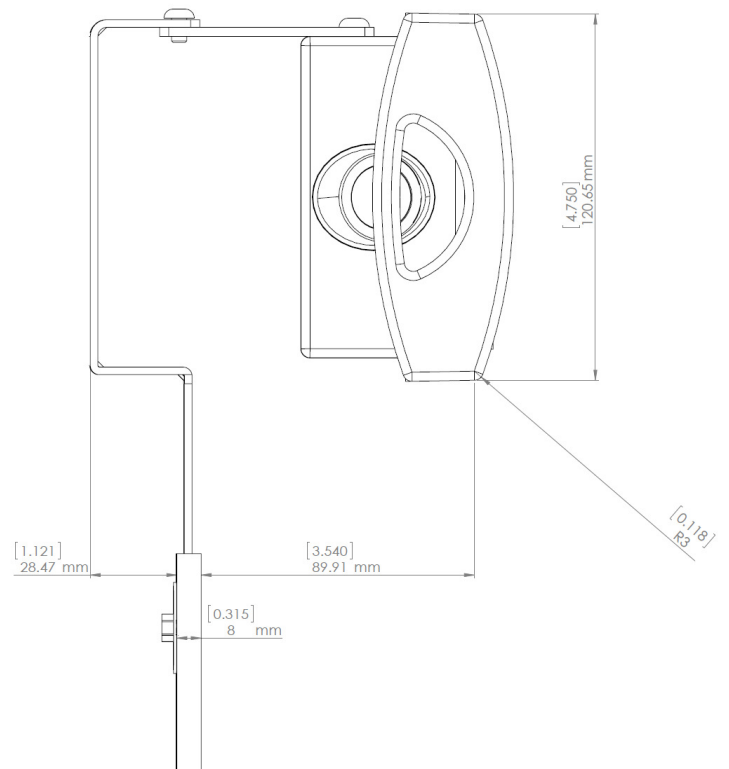


FIGURE 6

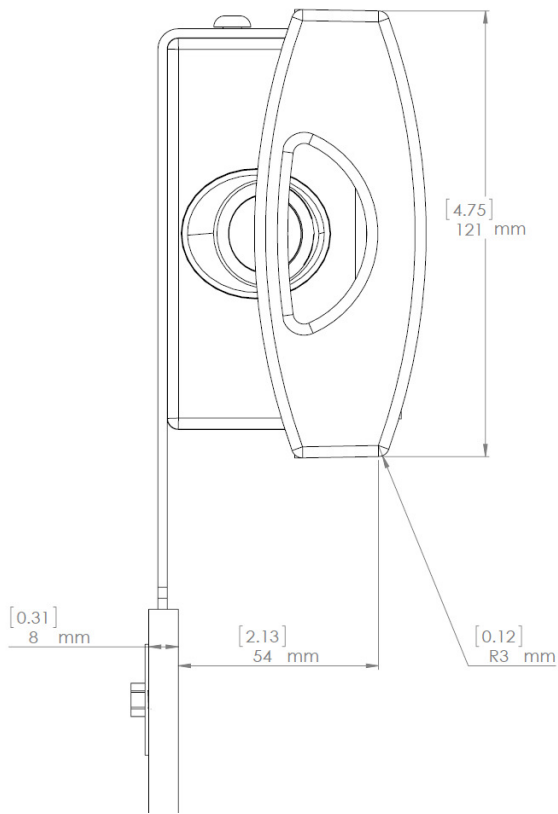


FIGURE 7

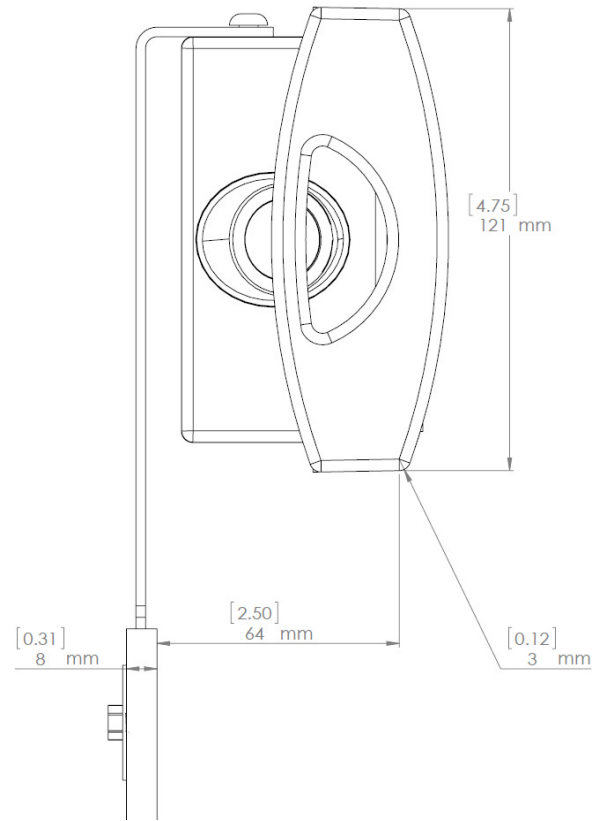


FIGURE 8

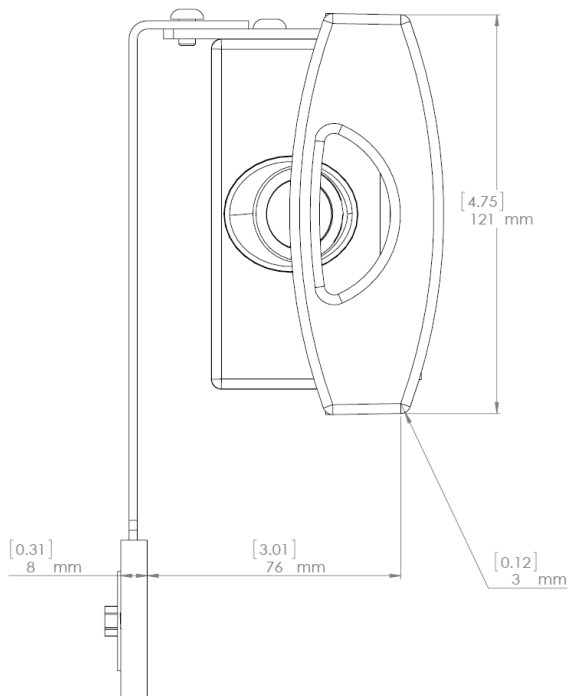


FIGURE 9

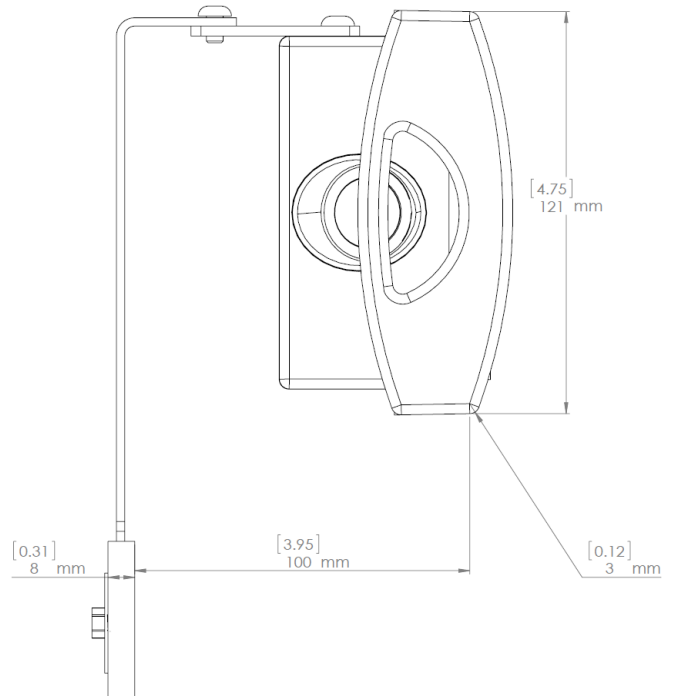


FIGURE 10

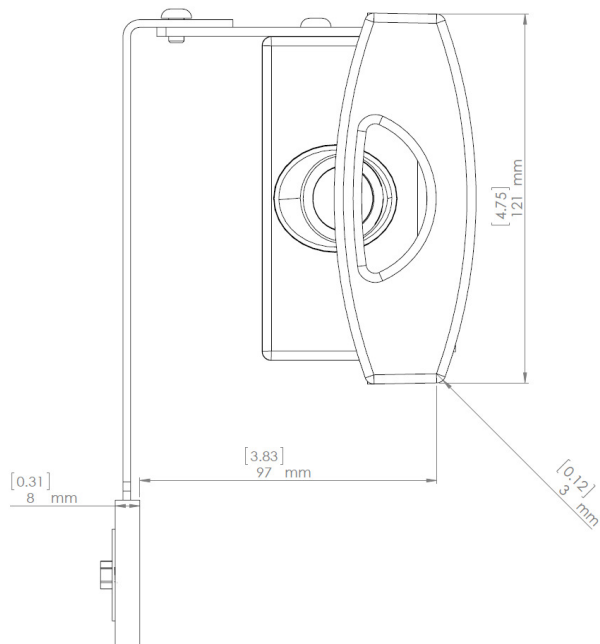


FIGURE 11

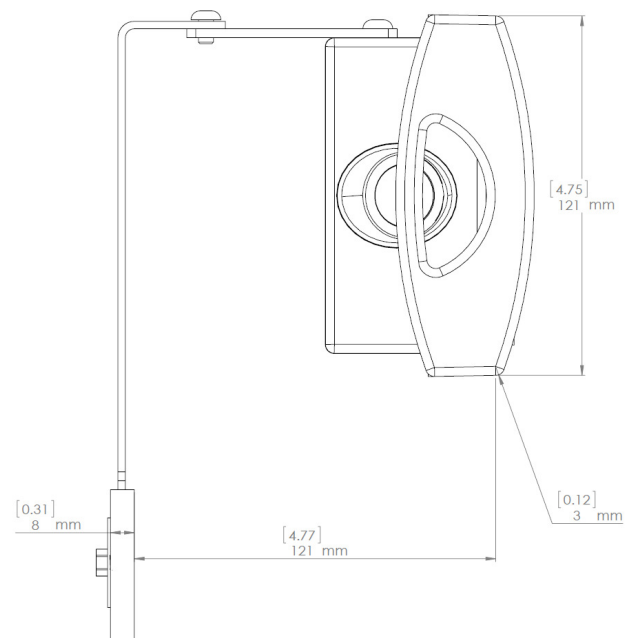


FIGURE 12

STABILIZERS

7. In cases where the VESA mounting points are narrowly spaced or non VESA compliant use of the Stabilizers is strongly suggested. **See Figure 13.**

7.1. First locate a section on the chassis as close to the end of the Slider Arm that is flat enough to mount the stabilizer foot, preferably close to the edge of the TV set.

7.2. Clean the intended attachment area on the TV chassis with the included alcohol wipe to remove any latent grease.

7.3. To install the Slider Arm, first screw one of the Stabilizer Nuts onto the thread, close to the swivel base. Place the assembly underneath the Slider Arm and insert the threads through the Arm slot.

7.4. Once in place, peel the red backing film off of the base and stick firmly to the TV chassis.

7.5. Install the second nut onto the threads and tighten both in place to hold the speaker brackets in the correct placement.

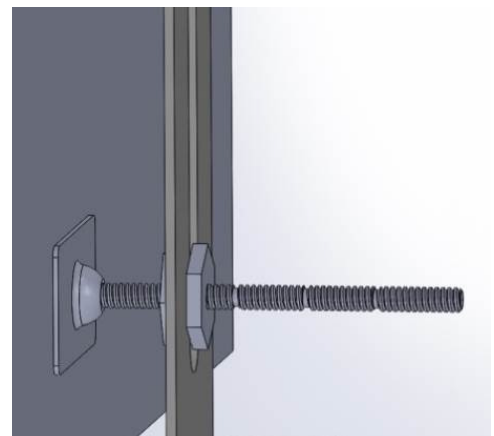


FIGURE 13

7.6. Break off the any additional thread of the stabilizer with a pair of pliers.

HARDWARE KIT

8. Mounting Screw Selection

8.1.1. Match the threads in the FPTV chassis to one from the kit.

Thread: M4, M5, M6, M8, or M10.

8.1.2. First, check the thread depth of the mounting points in the FPTV.

8.1.3. Using the Studio TV Mounting Brackets (Depth = 8 mm), third party wall-mount, and washers. Be sure to account for the maximum thread depth into the TV.

9. If applicable, place your wall mounting brackets that the television will be hung by on top of the Television Mounting Brackets.
10. Thread the mounting screws thru all of the brackets into the VESA mounting points.
11. Tighten the screws on the rear of the television to hold all of the brackets in place on the chassis.
12. You may now hang your TV on the wall, or place it onto the table stand.

MOUNTING THE SOUNDBAR TO THE TV MOUNTING BRACKETS

13. Using the correct accessories from **Table 1** assemble the Studio SoundBar into the STUDIO TV Mounting Brackets using the B/B hardware and the 3 mm Allen Wrench. There are two sliders in the cabinet that will accept these B/B screws. Simply slide them to align with the bracket locations, loosely tighten.
14. Carefully adjust the speaker forward and backward to sit about 1/8" behind the bezel edge.
15. Attach the grille to the cabinet by slipping the grille around the cabinet. You will feel a click as the grille seats.
16. Tighten the B/B hardware to hold the position.
17. Slide the grille Left or Right to align with the sides of the FPTV bezel.

WIRING THE SOUNDBARS

3 CHANNEL METHOD (Left, Center and Right)

1. Operate the terminals by firmly pressing on them. An opening will be exposed in the side of the terminal. Slip about 9 mm (3/8") of bare speaker wire into this opening hole and release the terminal. The spring loaded terminal will now securely hold the wire in place.
2. Attach the three speaker wire pairs to the binding posts on the rear of the SoundBar. The red terminal is the positive terminal and the black terminal is the negative terminal. The outer sets of binding posts are Left and Right respectively and the center set of binding posts is the Center Channel.

NOTE: The SoundBar is a 3 channel (Left, Center and Right) passive loudspeaker device and requires 3 discrete audio signals from an external multi-channel amplifier. The speaker wire gauge required is dependent upon wire length run, 16 gauge is suggested as the minimum size. 12 gauge is the maximum that will fit into the terminals.

FINE TUNING YOUR STUDIO SOUNDBAR

Satellite / Subwoofer Crossover Frequencies:

STUDIO 39:

- 'SMALL' Speaker on A/V Receiver / Processor
- Left / Right Crossover Frequency: 100 Hz
- Center Crossover Frequency: 80 Hz

STUDIO 46:

- 'SMALL' Speaker on A/V Receiver / Processor
- Crossover Frequency: 80 Hz

STUDIO 55:

- 'SMALL' Speaker on A/V Receiver / Processor
- Crossover Frequency: 80 Hz

STUDIO 65:

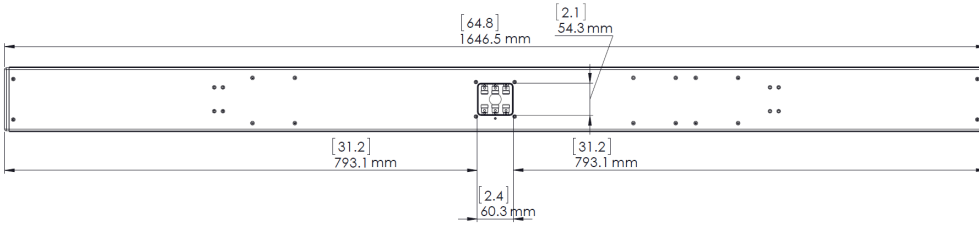
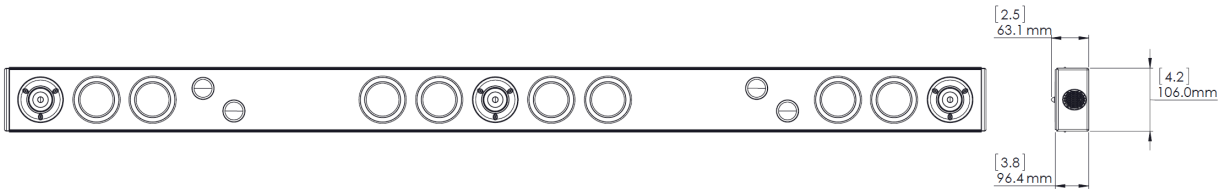
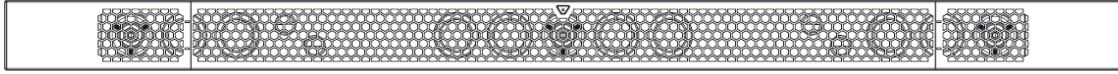
- 'SMALL' Speaker on A/V Receiver / Processor
- Left / Right Crossover Frequency: 80 Hz
- Center Crossover Frequency: 70 Hz

SPECIFICATIONS & DIMENSIONS:

Studio 65 SoundBar

STUDIO65-SB

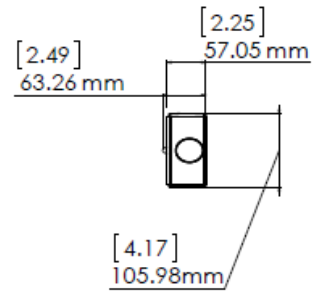
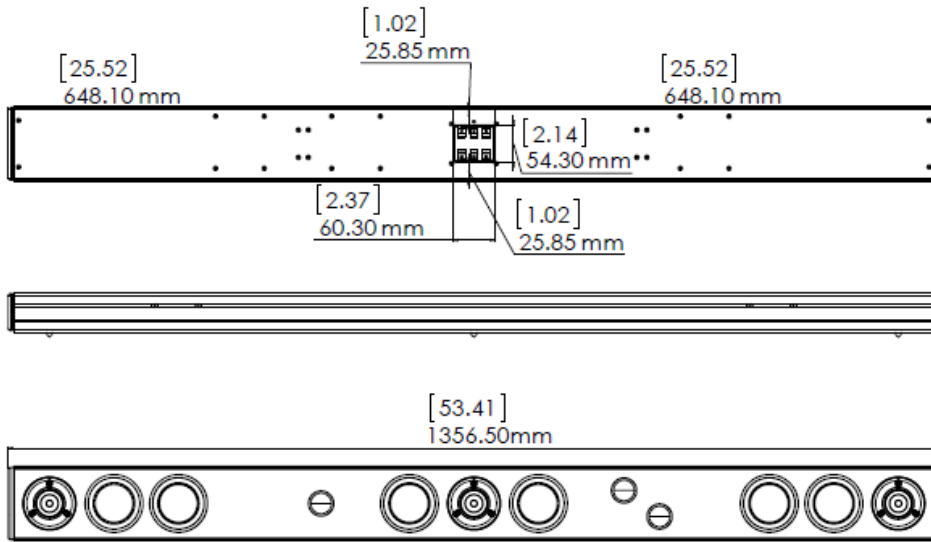
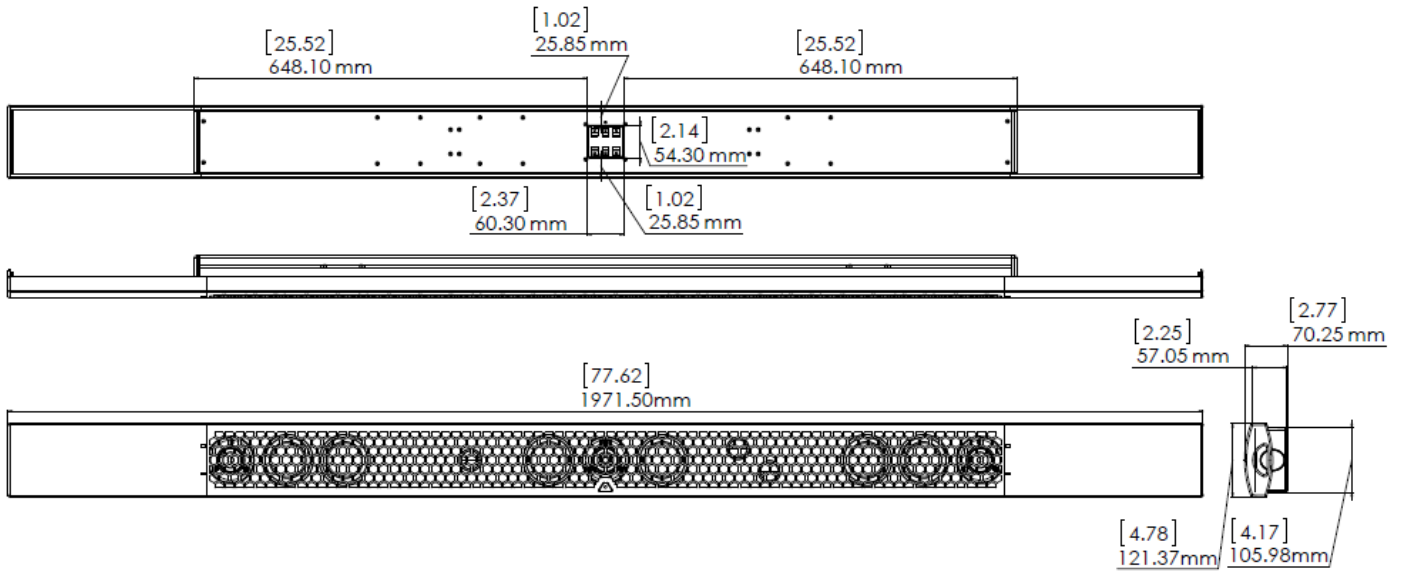
Dimensions:	4.1" x 64.8" x 2.2", HWD Overall 4.7" x CUSTOM" x 2.7", HWD w/ Minimum Grille For use with FPTV's: W ≥ 65.3"
Driver Complement:	8. 3½" Carbon Fiber, Long Throw, Midrange/Woofer 3. 25 mm XT25 Super Audio Tweeters 2. 19 mm Stage Tweeter
Cabinet / Finish:	Extruded Aluminum / Black Anodized; Grille Cloth available in Black or Light Grey
Frequency Response:	Center 70 Hz – 50 kHz ± 3 dB Left / Right 80 Hz – 50 kHz ± 3 dB
Recommended Power:	Center 75 – 200 Watts Left / Right 75 – 150 Watts
Nominal Impedance:	6 Ω
Sensitivity:	89 dB @ 2.83 Volts, 1 Meter
Enclosure Type:	Bass Reflex
System Weight:	35 lbs. (15.5 kg.) incl. Speaker, Mounting Hardware & Grille



Studio 55 SoundBar

STUDIO55-SB

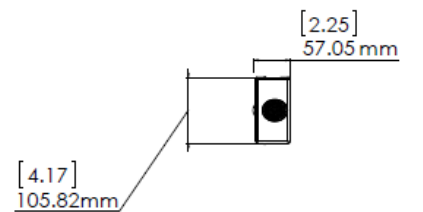
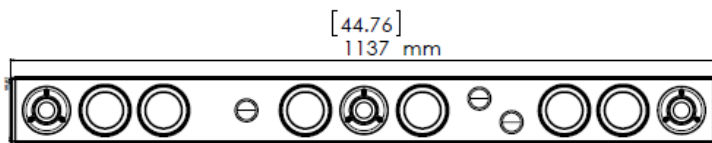
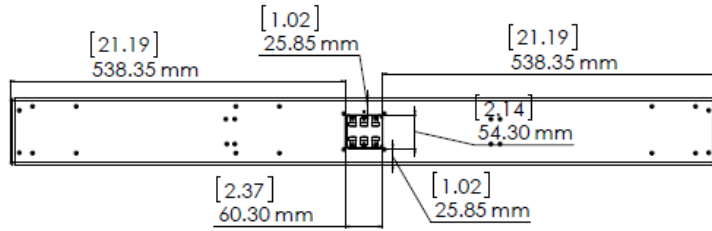
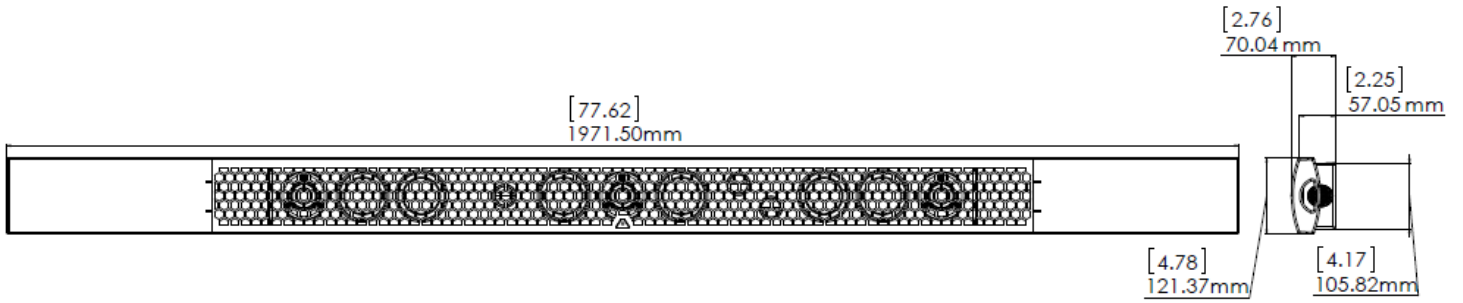
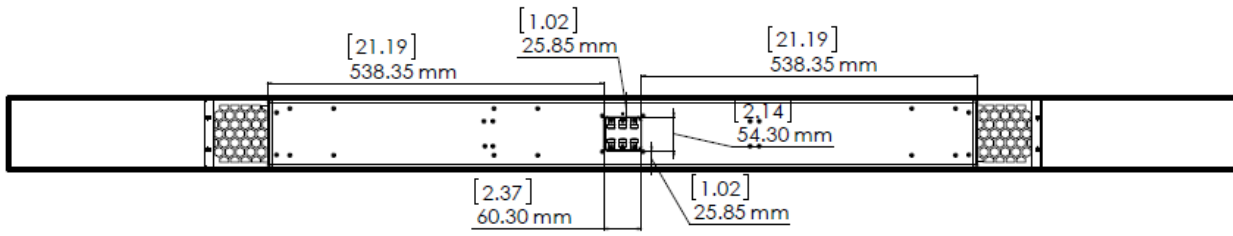
Dimensions:	4.1" x 53.4" x 2.2", HWD Overall 4.7" x CUSTOM" x 2.7", HWD w/ Minimum Grille For use with FPTV's: W ≥ 54.1"
Driver Complement:	6. 3½" Carbon Fiber, Long Throw, Midrange/Woofer 3. 25 mm XT25 Super Audio Tweeters 2. 19 mm Stage Tweeter
Cabinet / Finish:	Extruded Aluminum / Black Anodized; Grille Cloth available in Black or Light Grey
Frequency Response:	80 Hz – 50 kHz ± 3 dB
Recommended Power:	75 - 150 Watts
Nominal Impedance:	6 Ω
Sensitivity:	89 dB @ 2.83 Volts, 1 Meter
Enclosure Type:	Bass Reflex
System Weight:	31 lbs. (14 kg.) incl. Speaker, Mounting Hardware & Grille



Studio 46 SoundBar

STUDIO46-SB

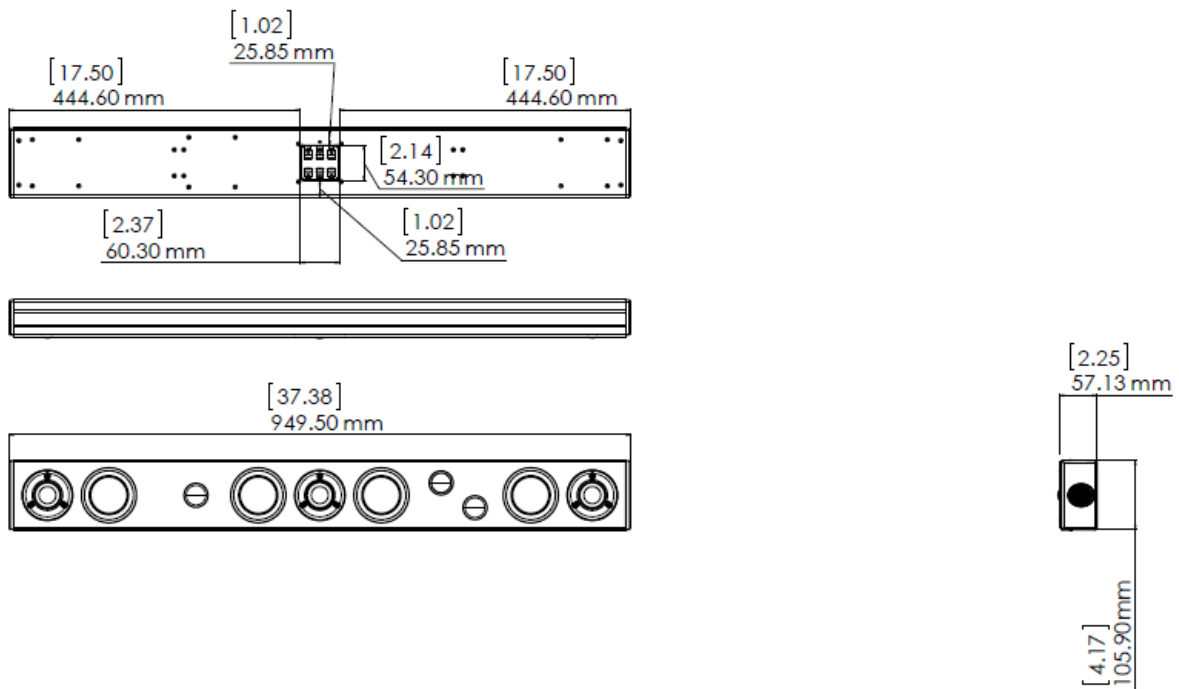
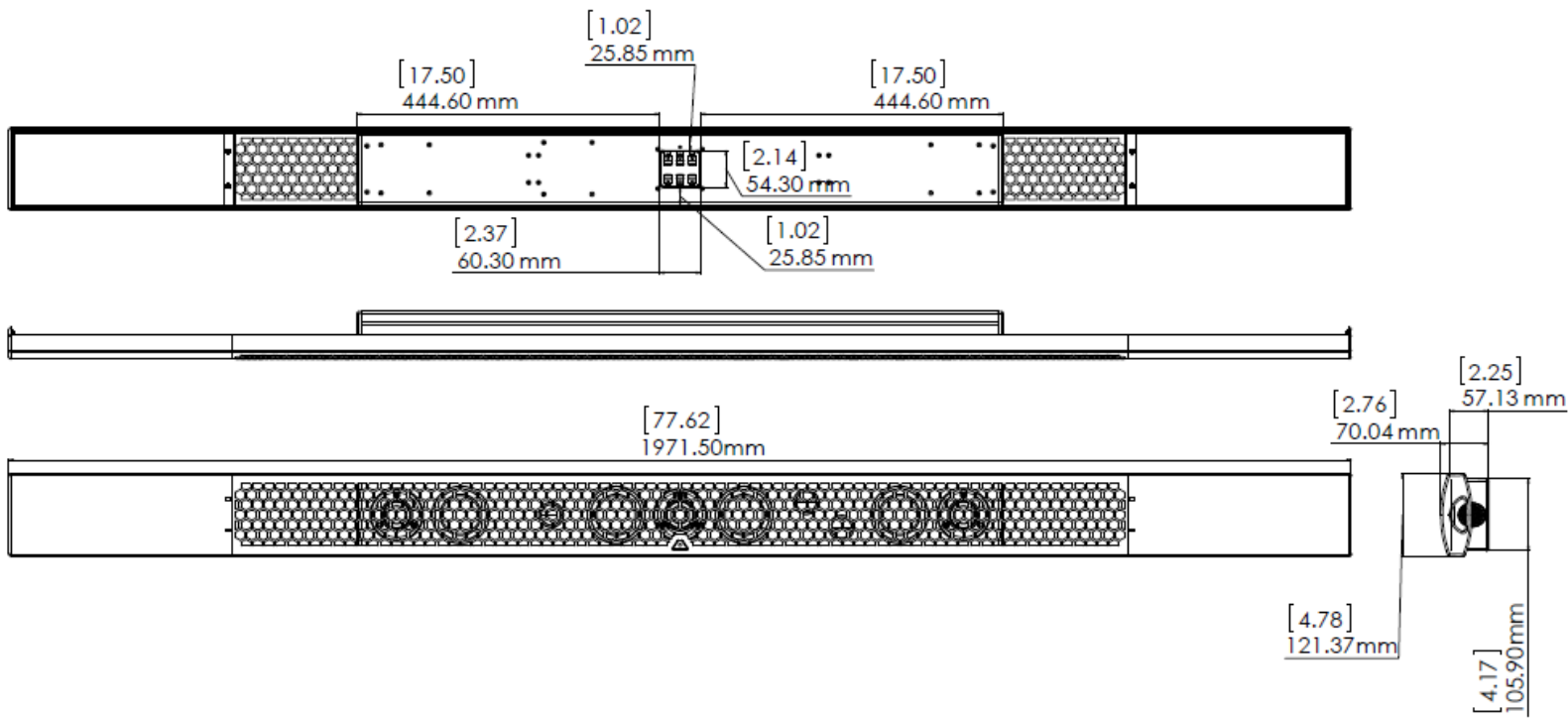
Dimensions:	4.1" x 44.7" x 2.2", HWD Overall 4.7" x CUSTOM" x 2.7", HWD w/ Minimum Grille For use with FPTV's: W ≥ 45.4"
Driver Complement:	6. 3½" Carbon Fiber, Long Throw, Midrange/Woofer 3. 25 mm DX25 Super Audio Tweeters 2. 19 mm Stage Tweeter
Cabinet / Finish:	Extruded Aluminum / Black Anodized; Grille Cloth available in Black or Light Grey
Frequency Response:	80 Hz – 40 kHz ± 3 dB
Recommended Power:	75 - 150 Watts
Nominal Impedance:	6 Ω
Sensitivity:	89 dB @ 2.83 Volts, 1 Meter
Enclosure Type:	Bass Reflex
System Weight:	28 lbs. (13 kg.) incl. Speaker, Mounting Hardware & Grille



Studio 39 SoundBar

STUDIO39-SB

Dimensions:	4.1" x 37.5" x 2.2", HWD Overall 4.7" x CUSTOM" x 2.7", HWD w/ Minimum Grille For use with FPTV's: W ≥ 38.0"
Driver Complement:	4. 3½" Carbon Fiber, Long Throw, Midrange/Woofer 3. 25 mm DX25 Super Audio Tweeters 2. 19 mm Stage Tweeter
Cabinet / Finish:	Extruded Aluminum / Black Anodized; Grille Cloth available in Black or Light Grey
Frequency Response:	Left / Right 100 Hz – 40 kHz ± 3 dB Center 80 Hz – 40 kHz ± 3 dB
Recommended Power:	Center 50 - 125 Watts Left / Right 50 – 100 Watts
Nominal Impedance:	6 Ω
Sensitivity:	89 dB @ 2.83 Volts, 1 Meter
Enclosure Type:	Bass Reflex
System Weight:	24 lbs. (11 kg.) incl. Speaker, Mounting Hardware & Grille



STUDIO GRILLE

Cloth Colors: Standard: Black & Light Grey
Custom: White and Color Match

Dimensions: 4.75" x Custom to TV Width x 1.75", HWD
Minimum Width 38.0" for STUDIO39-SB
Minimum Width 45.4" for STUDIO46-SB
Minimum Width 54.1" for STUDIO55-SB
Minimum Width 65.0" for STUDIO65-SB

LIMITED WARRANTY

This warranty remains in effect from the date of purchase for; five (5) years for speaker, crossover and cabinet components and two (2) years for powered electronic components. Products with a combination of the aforementioned components, the warranty will be applied separately based on the terms above.

THIS WARRANTY PROTECTS THE ORIGINAL OWNER PROVIDING THAT THE PRODUCT HAS BEEN PURCHASED FROM AN AUTHORIZED ARTISON DEALER IN THE UNITED STATES. THE ORIGINAL BILL OF SALE MUST BE PRESENTED WHENEVER WARRANTY SERVICE IS REQUIRED. FOR WARRANTY SERVICE OUTSIDE THE UNITED STATES, CONTACT THE AUTHORIZED ARTISON DISTRIBUTOR IN THE COUNTRY WHERE THE PRODUCT WAS PURCHASED.

Except as specified below, this warranty covers all defects in material and workmanship. The following are not covered: Damage caused by accident, misuse, abuse, product modification or neglect, damage occurring during shipment, damage from failure to follow instructions contained in the Owners Manual, damage resulting from the performance of repairs by someone not authorized by Artison, or any claims based on misrepresentations by the seller. This warranty does not cover incidental or consequential damages. It does not cover the cost of removing or reinstalling the unit. **THIS WARRANTY IS VOID IF THE SERIAL NUMBER HAS BEEN REMOVED OR DEFACED, OR IS PURCHASED FROM AN UNAUTHORIZED DEALER ON THE INTERNET (WORLD WIDE WEB), MAIL ORDER, 800, 888, 877 TELEPHONE NUMBERS OR THROUGH A CATALOG.**

This warranty gives you specific legal rights. You may also have other rights, which vary from state to state. Some states do not allow the exclusion or limitation of incidental or consequential damages or limitations on how long an implied warranty lasts, so the above may not apply to you. Please make note of the following information and retain for your record.

Product Name _____ Model Number _____

Store Name _____ Purchase Price _____

HOW TO OBTAIN SERVICE

Please call us at (775) 783-4770, or write to: ARTISON (Attention: Customer Service Department), 2231 Meridian Blvd., Suite #1, Minden, NV 89423.

We will promptly advise you of what action to take. We may direct you to an authorized Artison Service Center or ask you to send your speaker to the factory for repair. You will need to present the original bill of sale to establish the date of purchase. **PLEASE DO NOT SHIP YOUR ARTISON PRODUCT TO THE FACTORY FOR REPAIR WITHOUT PRIOR AUTHORIZATION. PLEASE DO NOT RETURN PRODUCT TO THE ABOVE ADDRESS, IT IS NOT A SERVICE LOCATION.** You are responsible for transporting your product for repair and for payment of any initial shipping charges. However, we will pay the return shipping charges if the repairs are covered under warranty.